



# xAP – the Airborne Payload platform

Compact imaging subsystem for airborne and other mobile applications

ximea

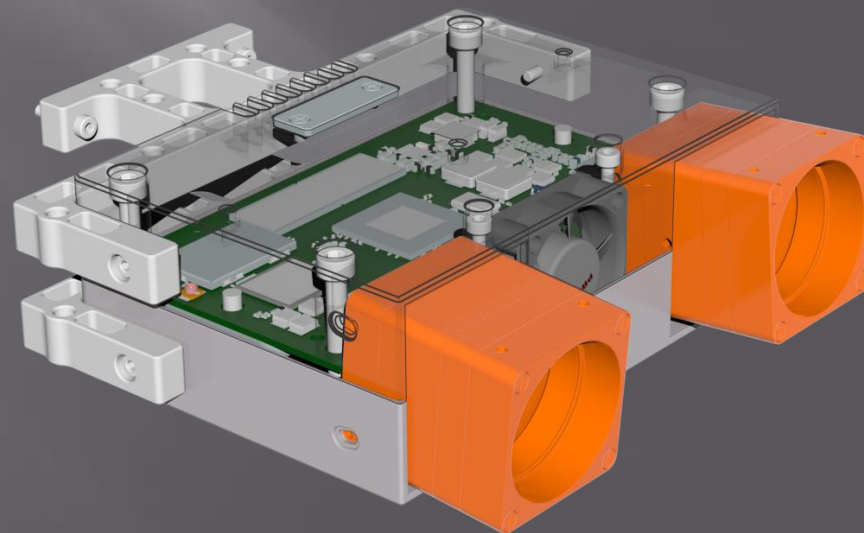


## Key features

- Create high resolution multidimensional imagery
- Supports monochrome, color or hyperspectral data with area and linescan cameras
- Adjustable: Adjust cameras for optimal views
- Power optimized: approx. 25 W per GPU and dual camera pair
- Cameras supported up to 50MPix resolution
- Conceptualized for rotary and fixed wing
- Designed with consideration of flight vibrations, interference, heat dissipation, flight envelope, mechanical resonance, bending stresses, center of gravity
- Fully integrated solution with EMC, avionics and highly sensitive GPS receiver compatibility

## Key features

- Scalable: Add cameras and processing units as required
- Modular: Select camera types and sets, lenses, processing bandwidth
- On board data storage up to TB/module
- Compute raw data and create on board actionable data
- Easy electrical & mechanical interface to drone
- Interfaces for remote access to on onboard computer
- Interface to drone OS
- Lightweight cameras and assembly
- Can be enhanced with Deep Learning
- Scriptable



preliminary description / subject to change